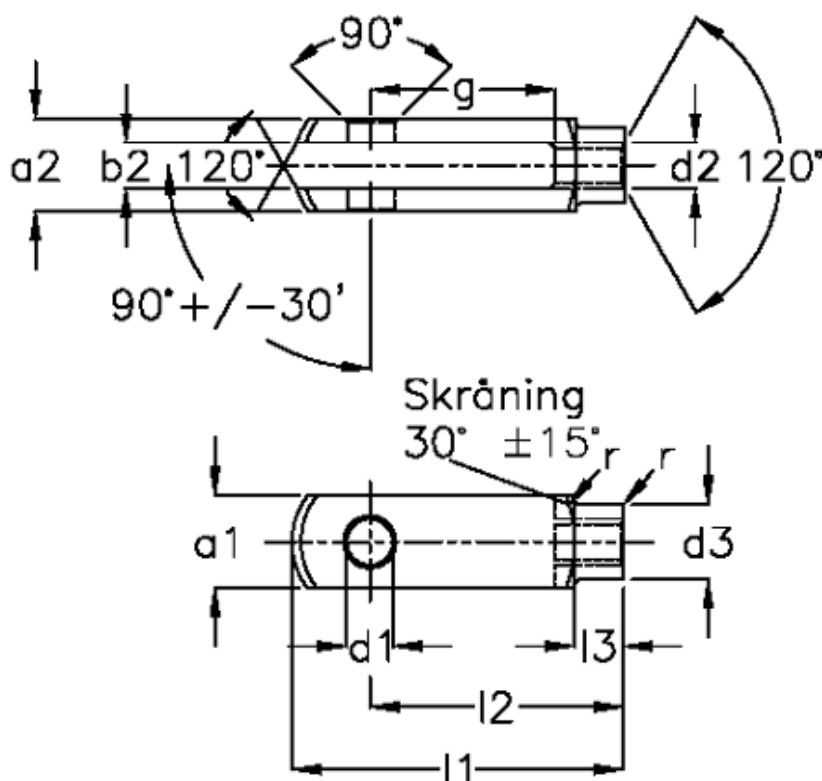


Article number: 1405710401

Description: KLEE St. steel Fork joint G 10x40
M10x1,5, left

Measures



a1 (h11)	= 20	g (+/-0.5)	= 40
a2	= 20 (+0,3 -0,16)	l1 (+/-0.5)	= 72
b1 (B13)	= 10	l2	= 60 (-0,4)
b2	= 10 (+0,7 +0,15)	l3	= 15 (+/-0,2)
d1 H9	= 10	r	= 0.5
d2	= M 10 x 1,5	Size	= G 10 x 40
d3 (+/-0.3)	= 18	Weight	= 0.116
f (+/-0.2)	= 0.5		